

Door Preparation

System with knob-cylinder



Magnetic
On Door



Transponder
On Wall



Energy Save



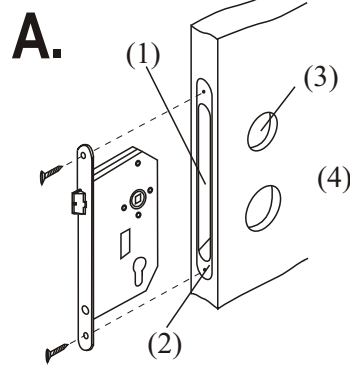
Room
Thermostat



Room Safe

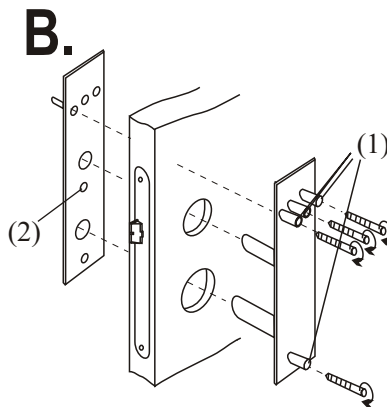


Minibar

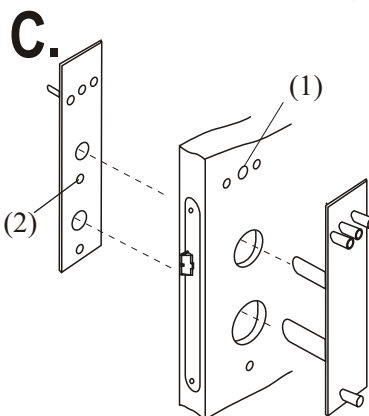


The door should ideally be factory-prepared:
Pocket for mortise lock (1)
Lathing for forend (2)
Drilling for spindle for leverhandle (3)
and the profile cylinder (4)

Attention: Once the doorleaf is properly prepared the mortise lock should be inserted smoothly if not the mortise pocket must be made wider.



Attach the rilling template to the doorleaf and clamp tightly to the door. Drill all holes with 7,5mm drillbit from either side to the center of the doorleaf.



Take off the drilling template and increase the diameter of the center-top-hole (1) to about 10mm.

Attention: No sawdust or loose woodchip must remain in the mortise-pocket.