

Messerschmitt®

Hotel Key Card System

VILLA - Series

Contactfree 13,56 Mhz Transponder Cards*



Classic2
On Door Reader



MagicEye
On Door Reader



PALAZZO
On Door Reader



Room
Thermostat



Energy Save



Room Safe



Minibar



Detailed description see reverse side !

Made in Germany

Code: OWTA-SBI

06.05 Vn.: 020



Locksmith Co., Ltd.
Email: sales@locksmith.co.th

Tel: +66 38 301 025
support@locksmith.co.th

Fax: +66 38 301 026
www.locksmith.co.th

Messerschmitt®

Hotel Key Card System

VILLA - Series

Contactfree 13,56 Mhz Transponder Cards*

Proven Transponder Card Technology by world-wide common employment

To meet high and exclusive requirements for design and functionality we use

Villa Series

Customized design of Door Tableau for wall installation

Highlights

- ¶ Outdoor operation, weatherproof box (massive cast steel with UV-resistant colour coating)
- ¶ Contactfree Transponder-Smart-Card-Reader-Technology*
- ¶ For surface and flush mounting
- ¶ Standard colour: White
Optional: - Silver-metallic
- Titan -metallic
- Graphite-metallic
- ¶ Free choice of Card Technology :
 - ³ contactfree Transponder- Card 13,56-Mhz Technology (ISO- world standard)
 - ³ Magnetic- Card- reader

Technical Data:

Operating voltage: 12...13,8V
Current consumption : 150 mA
Output: Relais potential free
max. 42V / 0,5 A

Power supply and installation frames must be ordered separately

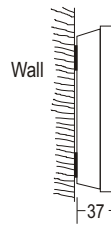
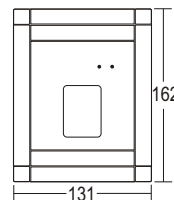
Weight:

Flush mounted- complete: approx. 0,6kg
On wall- mounted - complete: approx.0,8kg

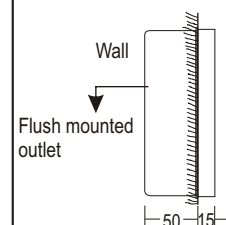
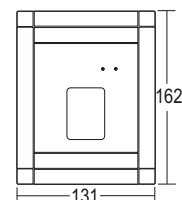
*13,56 Mhz Radio Frequency Technology worldwide ISO Standard

Measurements (in mm)

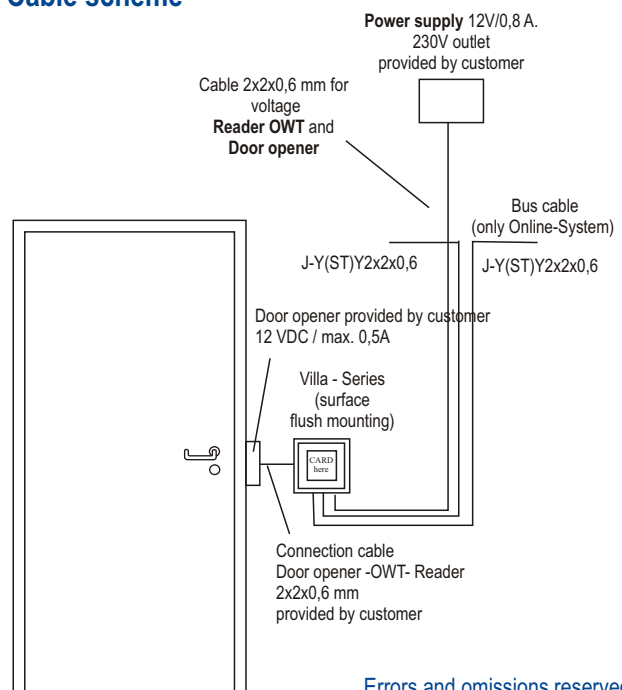
On wall



Flush mounted



Cable scheme



Errors and omissions reserved.

Code: OWTA-SBI

Messerschmitt Systems AG

Laufamholzstraße 452 D-90482 Nuremberg
Tel.: +49-911-919990 Fax: +49-911-9199922
Email: info@messerschmitt.com
www.messerschmitt.com

06.05 Vn.: 020

Messerschmitt®

Hotel Card System

VILLA - Series

Reader for outdoor operating, on wall

Magnetic Card



Magnetic
On Door



Transponder
On Wall



Energy Save



Room
Thermostat



Room Safe



Minibar



Detailed description see reverse side!

Made in Germany

Code: OWMIA-SBI-w Vn.: 022 / 10.04



Locksmith Co., Ltd.
Email: sales@locksmith.co.th

Tel: +66 38 301 025
support@locksmith.co.th

Fax: +66 38 301 026
www.locksmith.co.th

Messerschmitt®

Hotel Card System

VILLA - Series

Reader for outdoor operating, on wall

Magnetic Card

Proven Transponder-Card-Technology by world-wide common employment

To meet high and exclusive requirements for design and functionality we use

Villa Series

Customized design of Door Tableau for wall installation

Highlights

- † Outdoor operating, weatherproof box (massiv cast steel with UV-resistant colour coating)
- † Contactfree Transponder-Smart-Card-Reader-Technology*
- † For on-wall and flush-mounting
- † Standard colour: White
Optional: - Silver-metallic
- Titan -metallic
- Graphite- brown-metallic
- † Free choice of Card Technology :
 - ³ contactfree Transponder- Card 13,56-Mhz Technology (ISO- Weltstandard)
 - ³ Magnet- Card- reader

Technical Data:

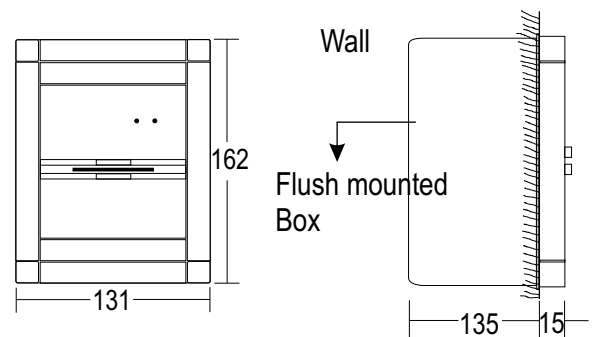
Operating voltage: 12...13,8V
Current consumption : 150 mA
Output: Relais potential free
max. 42V / 0,5A

Weights:

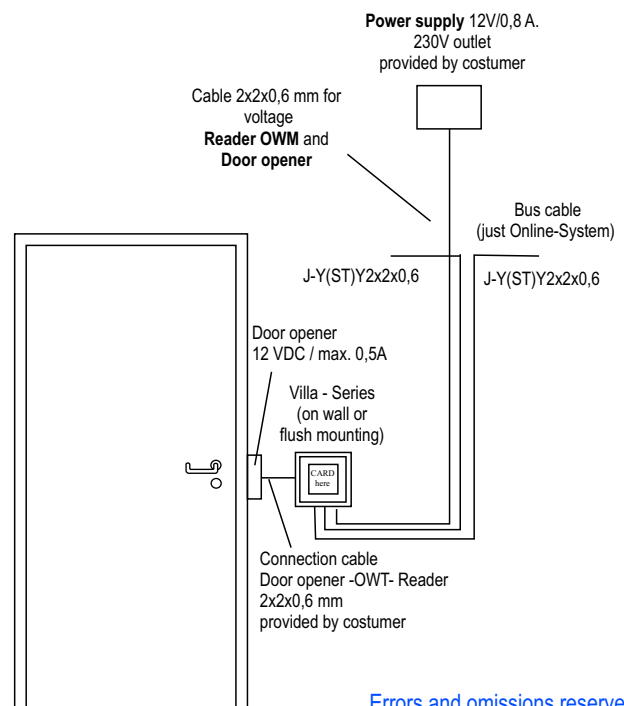
Flush mounted- complete: approx. 0,6kg
On wall- mounted - complete: approx. 0,8kg

Dimensionen (Angaben in mm)

Flush mounted



Cable scheme



*13,56 Mhz Radio Frequenz Technology world-wide ISO Standard

Errors and omissions reserved.

Code: OWMIA-SBI-w Vn.: 022 / 10.04

Messerschmitt Systems AG

Laufamholzstraße 452 D-90482 Nuremberg
Tel.: +49-911-919990 Fax: +49-911-9199922
Email: info@messerschmitt.com
www.messerschmitt.com